

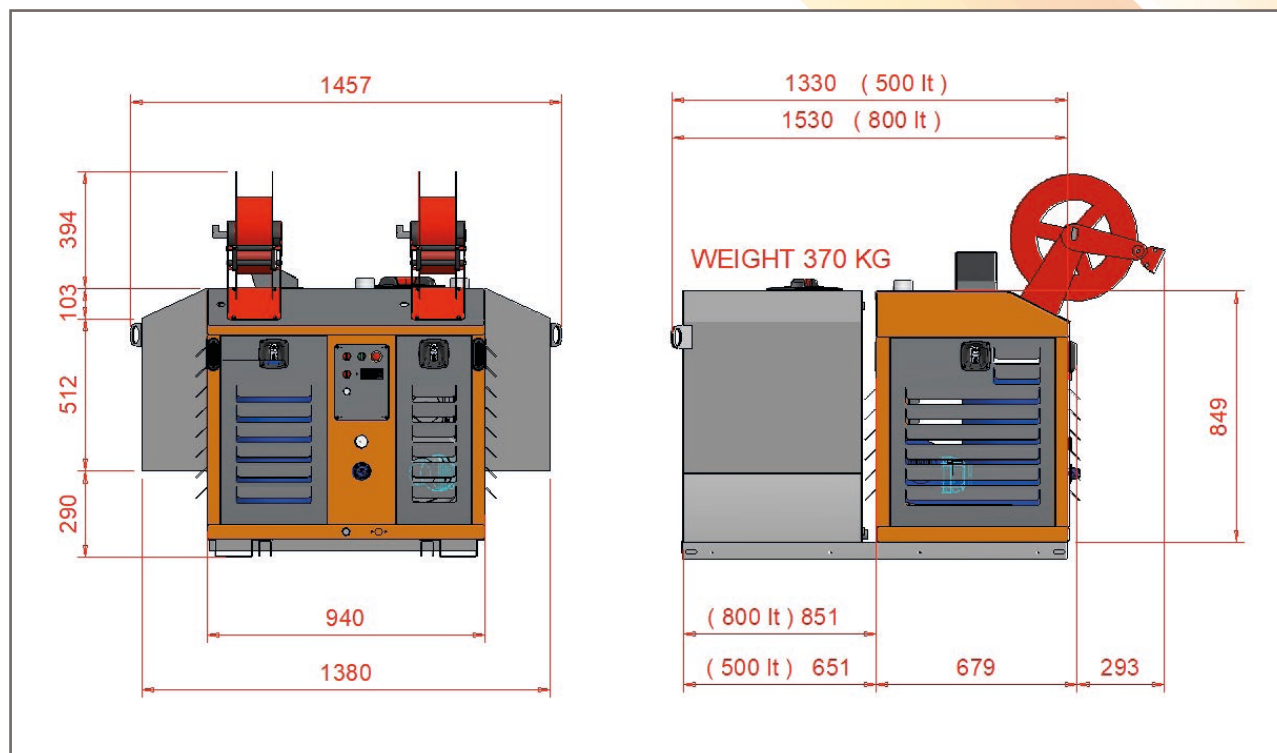


Technical features, standard equipment,
optional features and dimensional data



NIAGARA
HIGH PRESSURE WASHING EQUIPMENT (500 lt-800 lt)

TECHNICAL SHEET



HIGH PRESSURE WASHING EQUIPMENT WITH HOT AND COLD WATER WITH CAPACITY 500 LT AND 800 LT complete of:

- structure, box and tank in stainless steel aisi 304;
- diesel engine 4 Kw (one stroke) with electric and manual starting;
- high pressure piston pump flow 8 lt/min pressure 160 bar with pressure regulator;
- water heater in stainless steel with temperature adjustment from 0°C to 130°C;
- possibility to mix with the water additives, sanitizing or detergent substances with adjustable dosage;
- nr.1 automatic hose reel with high pressure lance for manual washing complete of mt. 20 of pipe;
- nr.1 automatic hose reel with high pressure nozzle for Canaljet complete of mt. 20 of pipe;
- possibility to wash with high pressure cold or hot water;
- diesel tank (same for engine and water heater) capacity 15 lt;
- additive tank capacity 5 lt;
- slide and hooks for fixing the equipment on the platform.

MUNICIPAL TECH S.R.L.

Via dell' Industria, 34 - 41013, Castelfranco Emilia (MO), ITALIA
Site: Piumazzo

www.municipaltech.it
info@municipaltech.it

Phone +39 059 931483
Fax +39 059 934307



MADE-IN-ITALY